

**Pool Breakdown**  
**Belize 12'x24' Oval 48"**  
**NB2512**

<p><b><u>FEATURES:</u></b>  Oval  Size: 12x24q  Depth: 48+  15 Year Warranty</p>	<p><b><u>STRUCTURE COMPOSITION:</u></b>  Rugged Steel Frame  Polymer Seat Caps  Protective Wall Coatings</p>
--	--

	Qty	Carton #	Carton Content Description
<input type="checkbox"/>	1	<b>241248-6HP-WS-2</b>	BELIZE . 6 INCH TOP SEAT, 6 INCH VERTICAL, 5/8 INCH RAIL, INSTRUCTIONS, PAPERWORK
<input type="checkbox"/>	1	<b>2412-6P-WS-3</b>	BELIZE . 6 INCH JOINT, 6 INCH SEAT COVER, 6 INCH SEAT COVER BRACKET, SEAT COVER ASSEMBLY BOLT PACKAGE
<input type="checkbox"/>	1	<b>241248-RG08-WS-A</b>	BELIZE . SIDE VERTICAL, BRACE, HORIZONTAL SUPPORT, STRAPS, OVAL FRAME BOLT PACKAGE, PRESSURE PLATE
<input type="checkbox"/>	1	<b>241248-THT-W</b>	BELIZE . WALL (TERRA HAUTE TAUPE), PLASTIC EDGING, 48+WALL JOINT PACKAGE

# Carton Breakdown

## Belize 12'x24' Oval 48"

### NB2512

Key #	Qty	Item #	Mfg Part #	Part Description	
<b>FRAME CARTON # 241248-6HP-WS-2</b>					
<input type="checkbox"/>	1	10	NBP1027	2363	6in Vertical (48+High)
<input type="checkbox"/>	4	32	NBP1024	1212	5/8in Rail L=1130mm (44-1/2") 12ft
<input type="checkbox"/>	6	16	NBP1022	1161	6in Top Seat L=1126mm (44-3/8") 12ft
<input type="checkbox"/>	---	1	-----	0022	Warranty
<input type="checkbox"/>	---	1	-----	0023	Safety Decals
<input type="checkbox"/>	---	1	-----	0024	Parts List + Frame Instruction
<input type="checkbox"/>	---	1	-----	0025	Safety Booklet
<b>FRAME CARTON # 2412-6P-WS-3</b>					
<input type="checkbox"/>	2	10	NBP1068	2168	6in Resin Joint - Upper
<input type="checkbox"/>	7	10	NBP1030	2464	6in Seat Cover Bracket
<input type="checkbox"/>	8	10	NBP1029	2463	6in Seat Cover
<input type="checkbox"/>	10	10	NBP1069	2268	6in Resin Joint - Lower
<input type="checkbox"/>	13	6	NBP1033	3462	6in Side Seat Cover
<input type="checkbox"/>	16	6	NBP1031	3233	5/8in Side Lower Rail Joint
<input type="checkbox"/>	19	6	NBP1004	3177	6in Resin Side Upper Joint
<b>Seat Cover Assembly Bolt Package (Part # 3318 / Order # NBP1032)</b>					
<input type="checkbox"/>	3	158	NBP1032	0341*	#12 Sheet Metal Screw
<input type="checkbox"/>	3	16	NBP1032	2402*	Resin Seat Cover Cap

\*These part #s are not available to purchase separately. They must be purchased as the Seat Cover Assembly Bolt Package, Order # NBP1032

# Carton Breakdown

## Belize 12'x24' Oval 48"

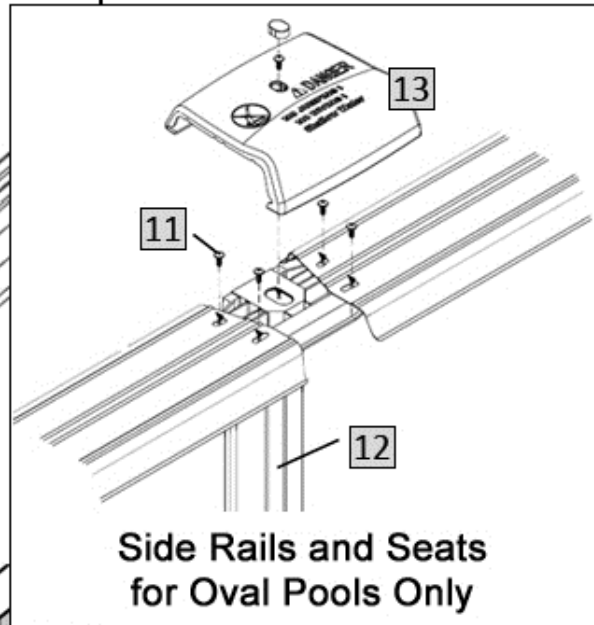
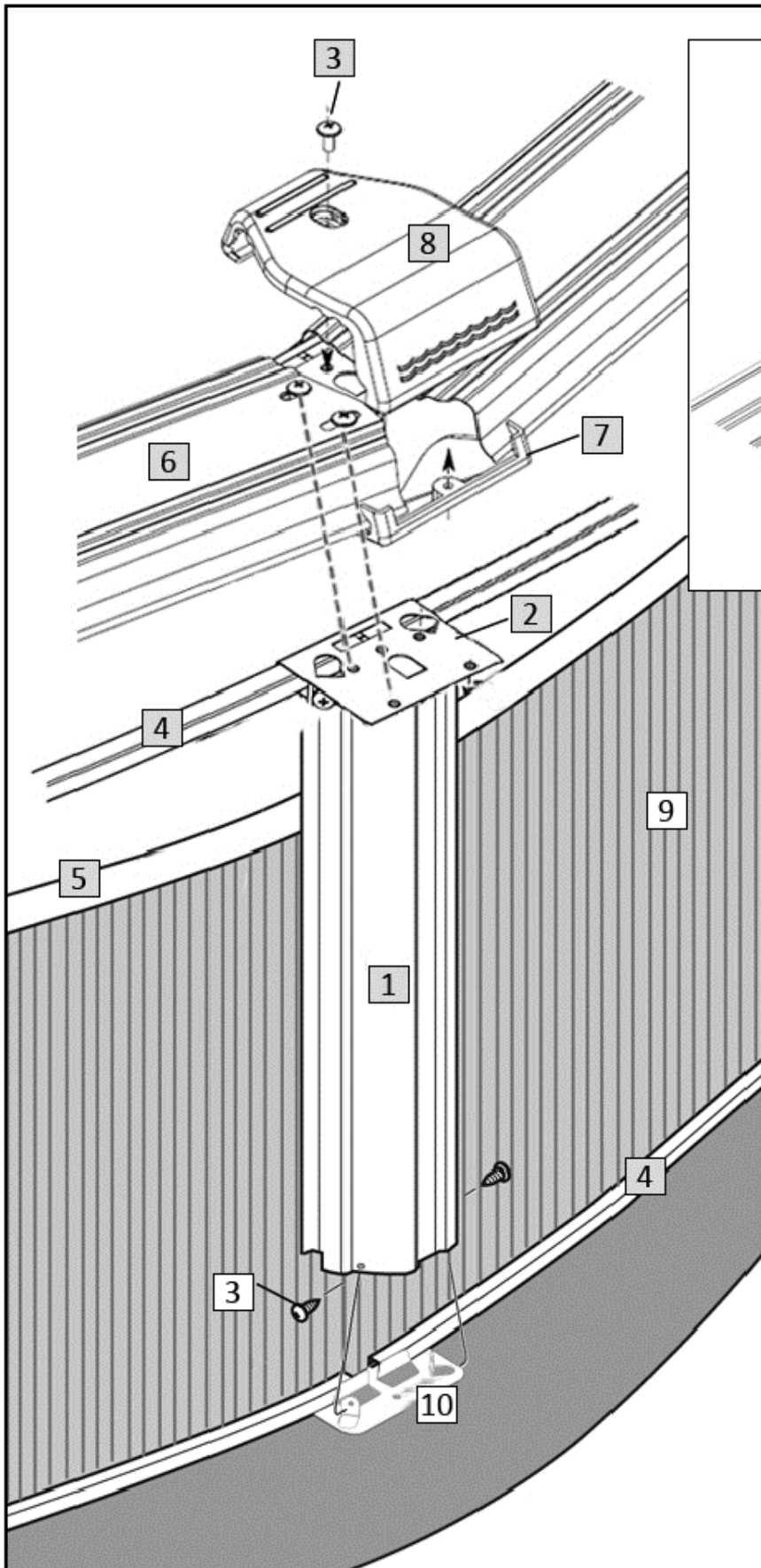
### NB2512

Key #	Qty	Item #	Mfg Part #	Part Description	
<b>FRAME CARTON # 241248-RG08-WS-A</b>					
<input type="checkbox"/>	12	6	NBP1005	3313	Side Vertical (for 48+Wall)
<input type="checkbox"/>	14	6	NBP1007	4103	Brace (for 48+Wall)
<input type="checkbox"/>	15	6	NBP1009	5236	Horizontal Support (for 48+Wall)
<input type="checkbox"/>	17	3	NBP1014	7254	Middle Strap L=835mm (32-7/8+)
<input type="checkbox"/>	17	6	NBP1012	7224	End Strap L=1400mm (55-1/8+)
<input type="checkbox"/>	18	6	NBP1011	6254	Pressure Plate L=680mm (26-3/4+)
<input type="checkbox"/>	---	1	-----	-----	Braced Oval Pool Instructions
<b>Braced Oval Frame Bolt Package (Part # 0104 / Order # NBP1000) QTY 3</b>					
<input type="checkbox"/>	11	13	NBP1000	0923*	M8 x 20 Hex Head Bolt
<input type="checkbox"/>	11	13	NBP1000	0423*	10.5mm x 21mm x 2.0mm Plain Washer
<input type="checkbox"/>	11	13	NBP1000	0623*	M8 Nut
<input type="checkbox"/>	11	8	NBP1000	0341*	#12 Sheet Metal Screw
<input type="checkbox"/>	11	5	NBP1000	0513*	¼+x ½+Truss Head Screw
<input type="checkbox"/>	11	5	NBP1000	0611*	¼+Nut
<b>Strap Bolt Package (Part # 0105 / Order # NBP1001) QTY 3</b>					
<input type="checkbox"/>	11	22	NBP1001	0623*	M8 Nut
<input type="checkbox"/>	11	22	NBP1001	0923*	M8 x 20 Hex Head Bolt
<b>WALL CARTON # 241248-THT-W</b>					
<input type="checkbox"/>	5	15	NL107	8100	Plastic Edging
<input type="checkbox"/>	9	1	PC5204	48+Wall	Terra Haute Taupe Wall
<b>Wall Joint Bolt Package (Part # 0113 / Order # NBP1021)</b>					
<input type="checkbox"/>	3	23	NBP1021	0513*	¼+x ½+Truss Head Screw
<input type="checkbox"/>	3	45	NBP1021	0411*	¼+Reinforcing Washer
<input type="checkbox"/>	3	23	NBP1021	0611*	¼+Nut

\*These part #s are not available to purchase separately. They must be purchased as part of corresponding Bolt Package.

# Belize 12'x24' Oval 48"

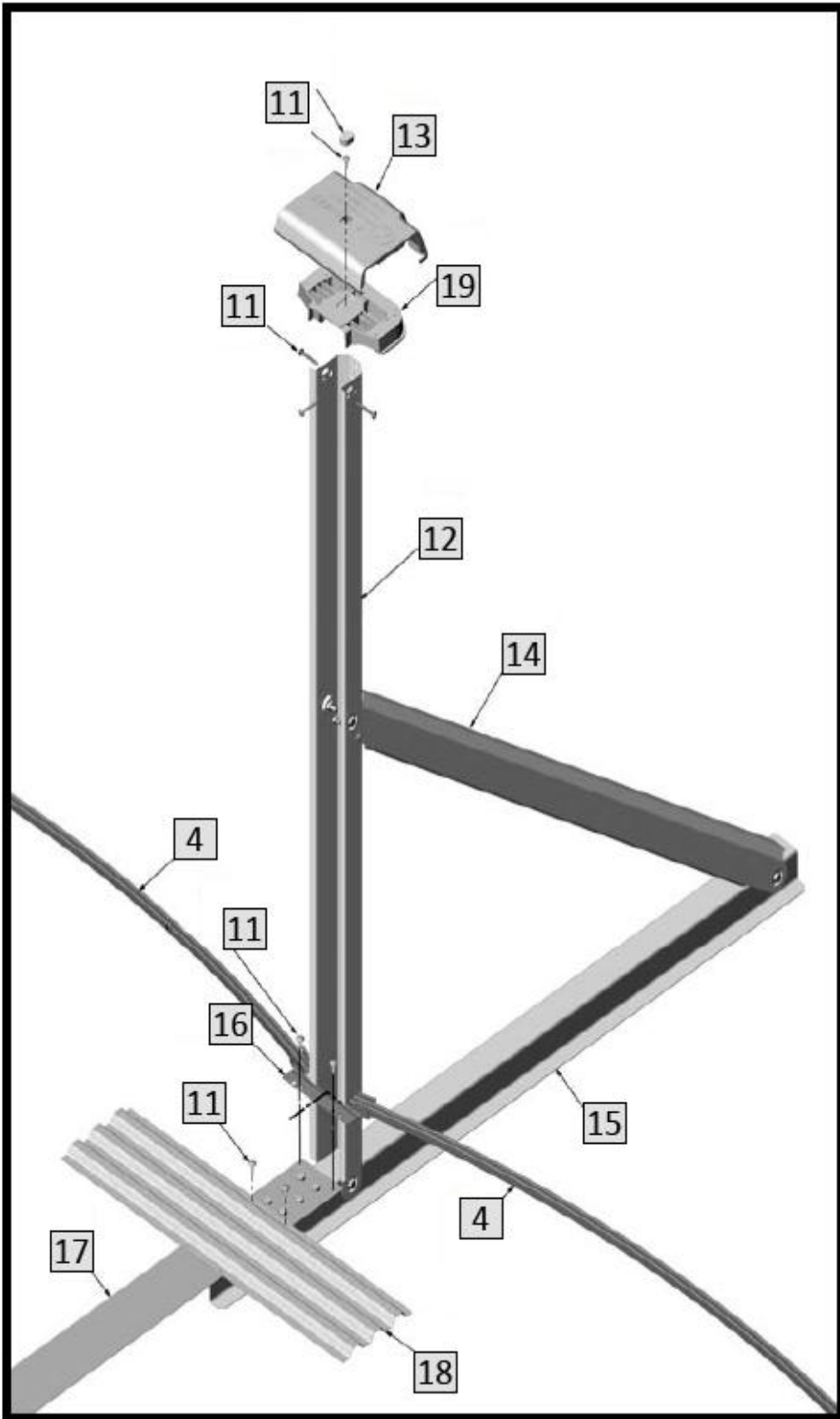
NB2512



Key #	Part Description	Item #
1	6in Vertical	NBP1027
2	Resin Upper Joint	NBP1068
3	Seat Cover Hardware	NBP1032
3	Wall Joint Hardware	NBP1021
4	5/8+Rail	NBP1024
5	Plastic Edging	NL107
6	6in Top Seat	NBP1022
7	6in Seat Cover Brckt.	NBP1030
8	6in Seat Cover	NBP1029
9	Wall	PC5204
10	Resin Lower Joint	NBP1069
11	Braced Oval Frame Bolt Hardware	NBP1000
12	6in Side Vertical	NBP1005
13	6in Side Seat Cover	NBP1033

# Belize 12'x24' Oval 48"

NB2512



Key #	Part Description	Item #
4	5/8+Rail	NBP1024
11	Braced Oval Frame Bolt Hardware	NBP1000
11	Strap Bolt Hrdwr.	NBP1001
12	6in Side Vertical	NBP1005
13	6in Side Seat Cover	NBP1033
14	Brace	NBP1007
15	Horizontal Support	NBP1009
16	Side Lower Rail Joint	NBP1031
17	Middle Strap	NBP1014
17	End Strap	NBP1012
18	Pressure Plate	NBP1011
19	Resin Side Upper Joint	NBP1004